

Easy-matic striker, rounded edge for Polaris XT, Revolution XT, Mediana Evolution and Centro latch only - for rebated doors



Description

Steel striker with rounded edge on one side, width 22 mm, length 82 mm. Designed for use with the tray covering latch hole; interchangeable versions available, with or without magnet, making it compatible with Polaris XT, Revolution XT, Mediana Evolution and Centro latch only. Can be adjusted under pressure (up to 1,5 mm) by turning the tray 180°.

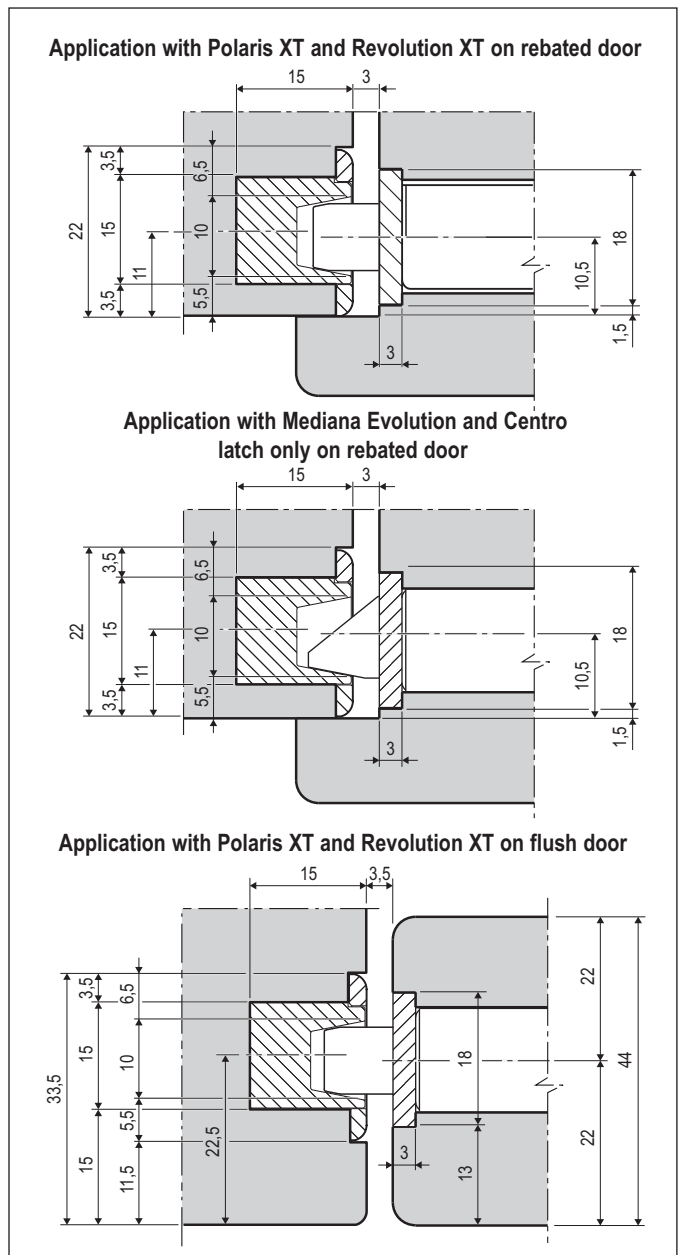
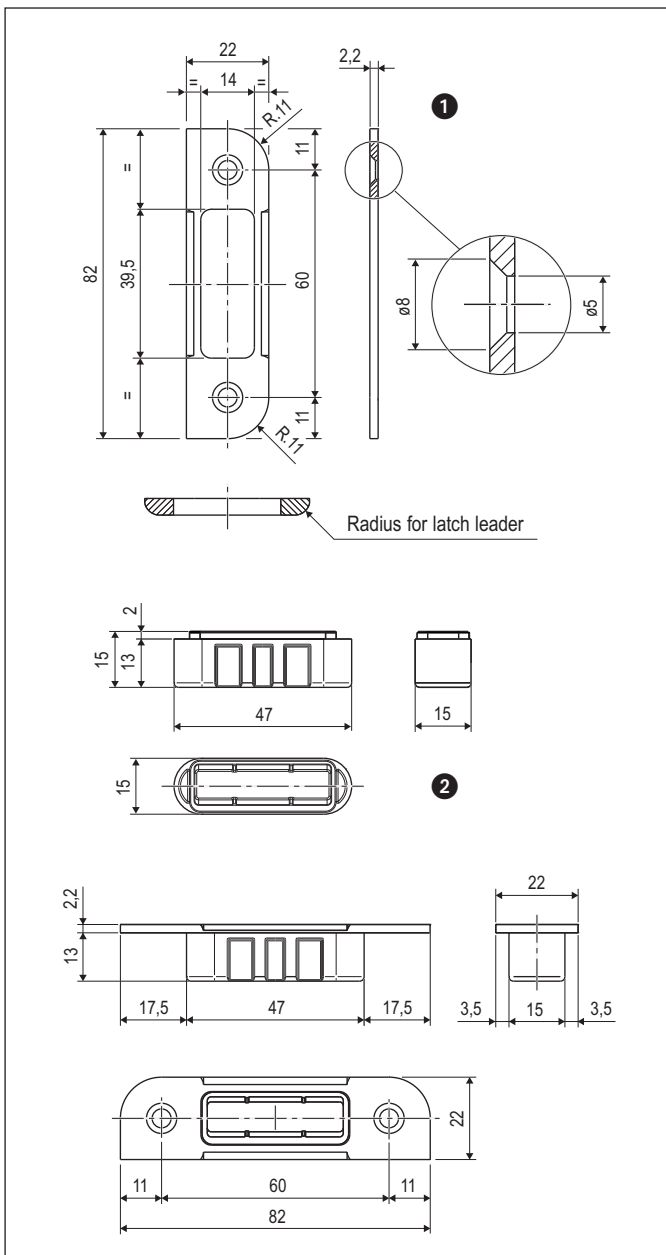
Selection and Application

To be coupled with Polaris XT, Revolution

XT, Mediana Evolution and Centro latch only, on rebated doors; application is possible on flush doors, only coupled with Polaris XT and Revolution XT.

Mounting

Apply a milled component to the frame (dimensions in drawing), bearing in mind, in the eventuality, the milled component for tray. Apply the striker flush with the edge of the frame. For mounting, use two screws (3,5x20 mm).



Order Specifications

Ref.	Article	Material	Description
1	B01402.23.XX	steel	striker only plate
2	B01402.16.XX	nylon	mechanical tray for Mediana Evolution and Centro latch only
	B02402.17.XX	nylon	Easy-matic XT magnetic tray for Polaris XT and Revolution XT

Note. Refer to the price list in force to check the availability of the finishes.