

# Easy-matic striker for Polaris XT, Revolution XT, Mediana Evolution and Centro latch only - for flush doors (thickness 44 mm)



### Description

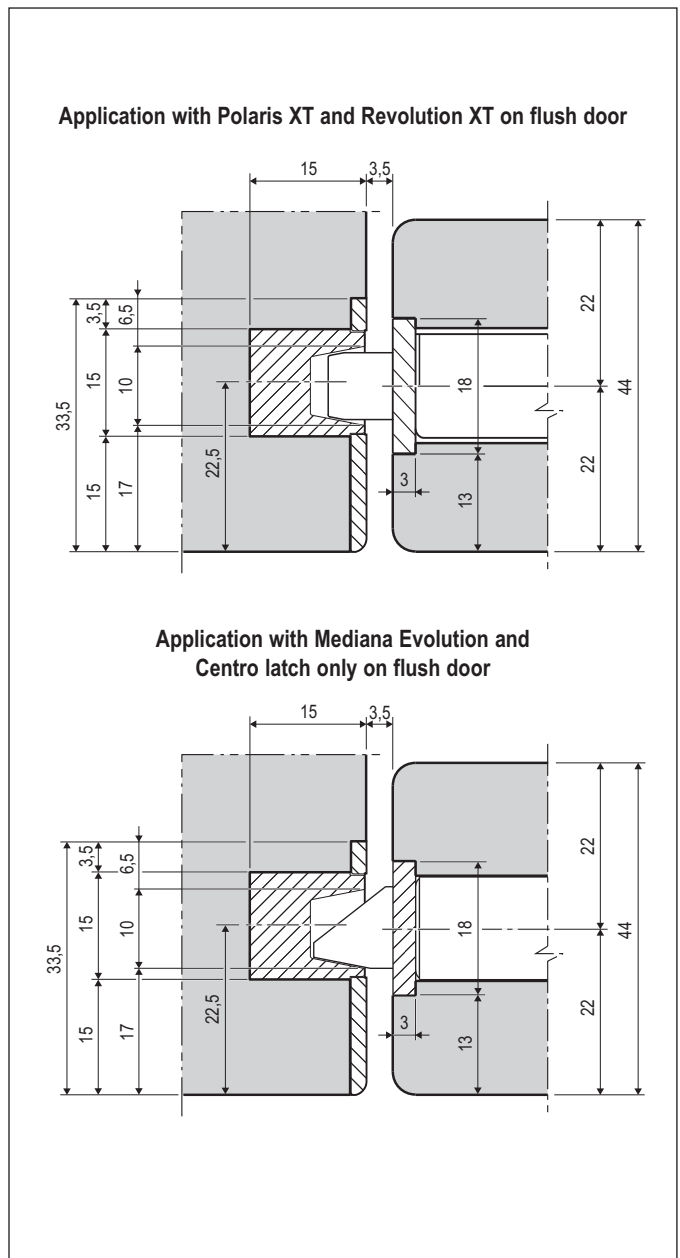
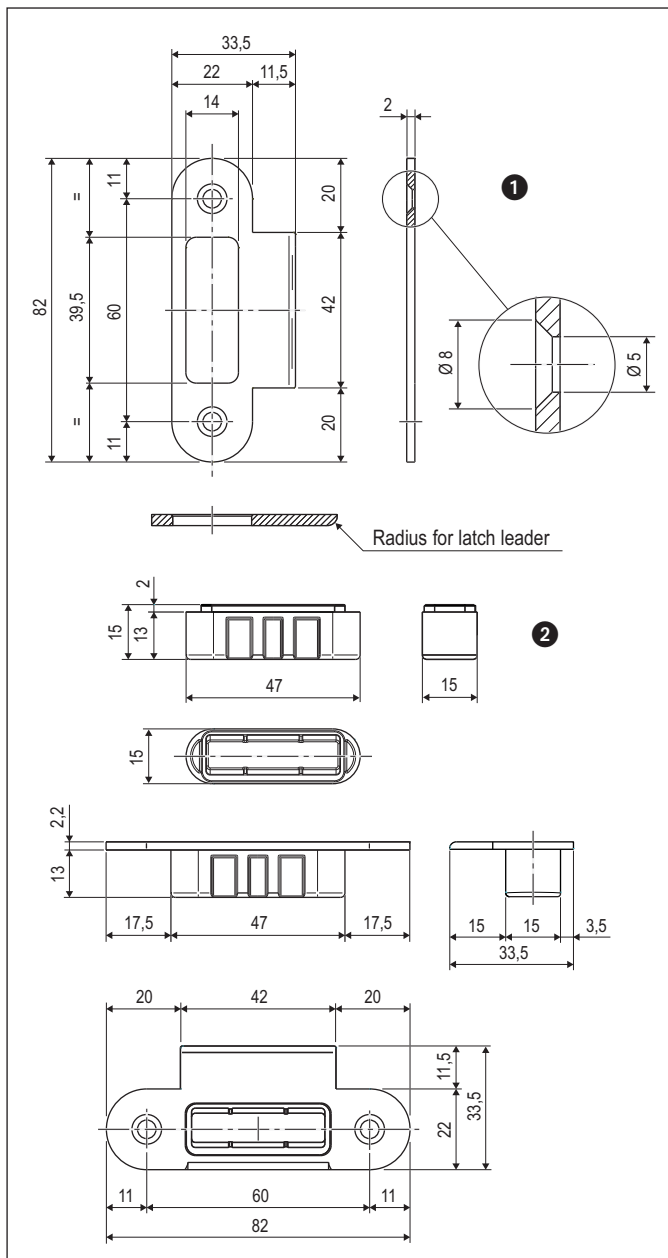
Steel striker (rounded edge with fin), width 22 mm, length 82 mm. Designed for use with the tray covering latch hole; interchangeable versions available, with or without magnet, making it compatible with Polaris XT, Revolution XT, Mediana Evolution and Centro latch only. Can be adjusted under pressure (up to 1,5 mm) by turning the tray 180°.

### Selection and Application

To be coupled with Polaris XT, Revolution XT, Mediana Evolution and Centro latch only, on flush doors (thickness 44 mm).

### Mounting

Apply a milled component to the frame (dimensions in drawing). For mounting, use two screws (3,5x20 mm).



### Order Specifications

Ref.	Article	Material	Description
①	B01402.14.XX	steel	striker only plate
②	B01402.16.XX	nylon	mechanical tray for Mediana Evolution and Centro latch only
	B02402.17.XX	nylon	Easy-matic XT magnetic tray for Polaris XT and Revolution XT

**Note.** Refer to the price list in force to check the availability of the finishes.