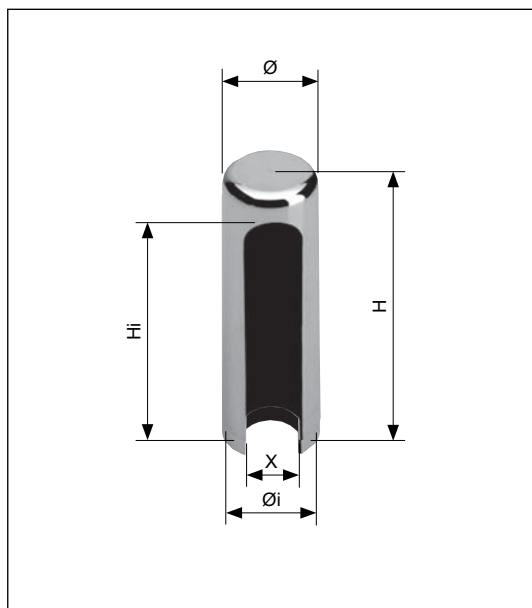


Covers



For hinges mod. 3D and TRIMAX

Order Specifications

Material	Article	\varnothing	\varnothing_i	H	H_i	X
ABS	E01151.14.XX	16	14	46,5	42	9,4
	E01151.16.XX	18	16	47,5	43	9,4
ALUMINIUM	E21151.14.XX	15	14	46	40	9
	E21151.16.XX	17	16	47	43	9
BRASS	E01159.14.XX	16	14	50	40	8,4
	E01159.16.XX	18	16	50	40	8,4

Note. Refer to the price list in force to check the availability of the finishes.