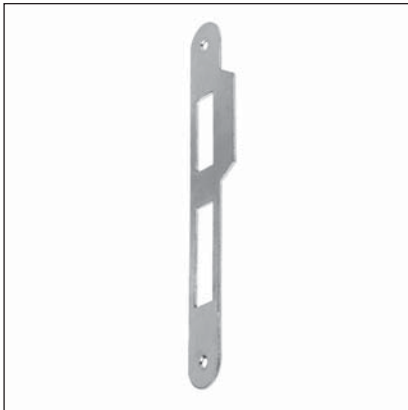


22x167 mm striker - round ends, with shaped lip 10 mm



Description

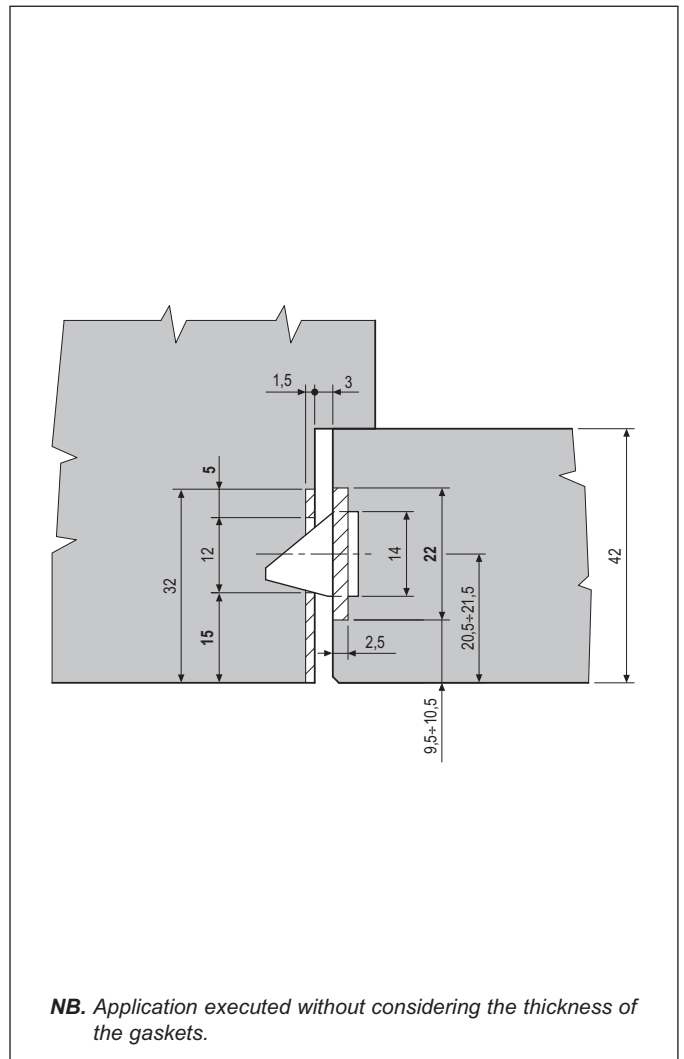
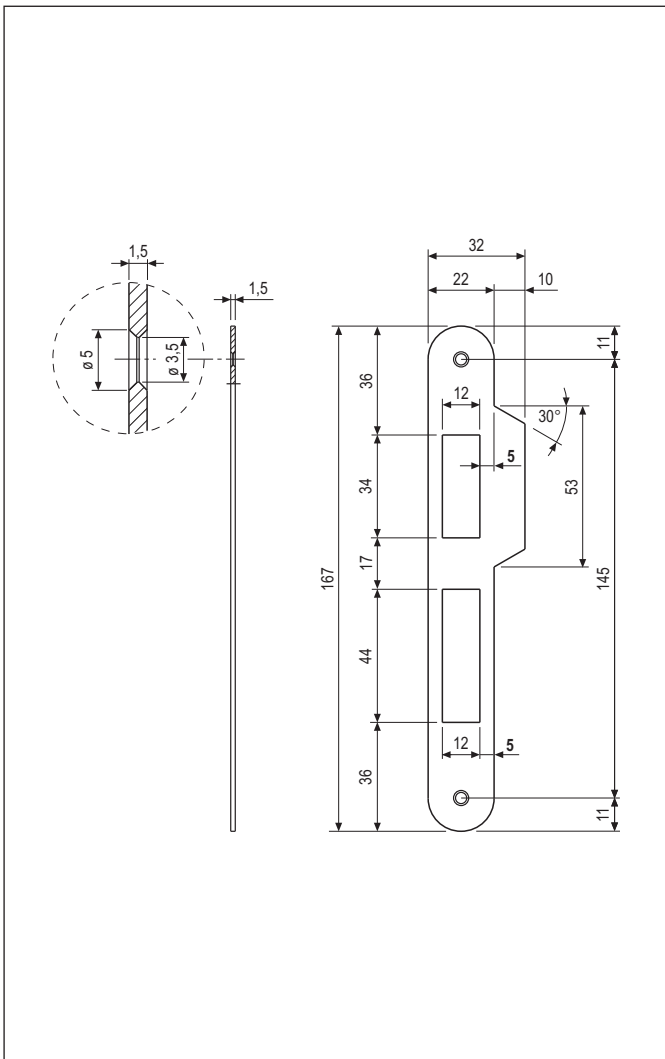
Steel or brass striker with round ends, 22 mm wide, 167 mm long. 10 mm shaped lip for jamb protection in area where spring latch strikers. Suitable for both right and left-handed applications.

Selection & Application

Used in combination with Centro locks with spring latch and bolt, on flush doors with timber frame.

Mounting

Mill the frame according to the dimensions shown in the diagram. Install the striker with the lip flush with the edge of the frame. Fasten with two 3x25 mm screws.



Order Specifications

Material	SALES CODE		
	Ref.	Model	Finish code
STEEL	B01000	05	XX
BRASS	B01000	06	XX

NB. Refer to the price list in force to check the availability of the finishes.