

Scivola oval - Kit F - oval and finger pulls



Description

Kit with brass flush plates for sliding doors.

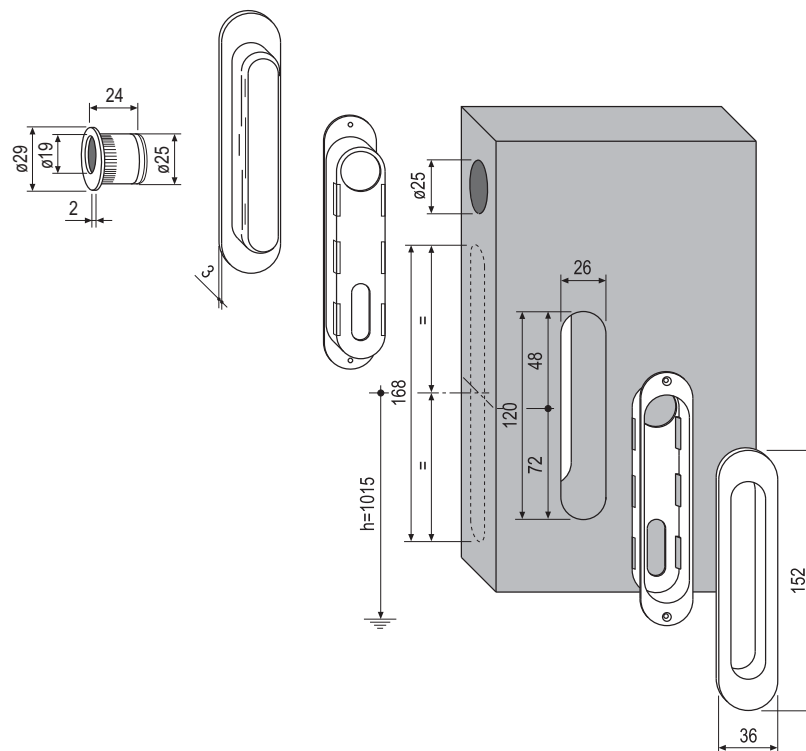
Application

Suitable for concealed, sliding timber doors without lock. Can be used on the second door of double sliding doors.

Mounting

The plates are not secured by visible screws but snap onto striker plates.

Note. All the kit components come in a single package.



Components

- 2 Brass plates with keyhole
- 1 Finger pull
- 2 Striker plates for plate application
- 4 3x16 mm white galvanised screws for striker plates

STRIKER PLATE ASSEMBLY AND DIMENSIONS

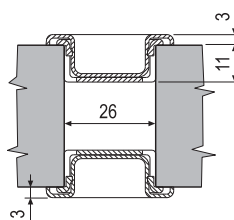


PLATE ASSEMBLY

- 1) Drill the panel
- 2) Insert the striker plates in the holes and fasten them with the screws
- 3) Snap the plates onto the striker plates

NB. Fasten the striker plates to the panel before snapping on the plates.

Order Specifications

Article	B01927.00.XX
---------	--------------

NB. Refer to the price list in force to check the availability of the finishes.